

YARDBEAST®

2090

3.5" (89mm) Heavy-Duty Chipper Shredder



powered by
KOHLER®
IN POWER. SINCE 1920.

BEAST MODE



CHIPPING AND SHREDDING WILL NEVER BE THE SAME

14

HP

24

HAMMERS

6

**FULLSHREDTM
FLAILS**

PERFORMANCE

Chipping

3.5"



The Yardbeast 2090 is able to chip branches up to 3.5 inches (89mm) with ease thanks to its amazing self feeding performance and one blade rotor design that provides maximum cutting inertia on every cut.

Shredding

3/4"

twigs



The 2090 is able to shred leaves and small branches up to 3/4" thick given the set of 6-Fullshred flails that assist in cutting and reducing these branches to allow the impact hammers to finish the shredding work.



13:1 ratio

The Yardbeast 2090 is able to produce a staggering reduction ratio up to 13 bags of average garden waste down to just one. Imagine all the savings incurred on time, raking work, and the environment!

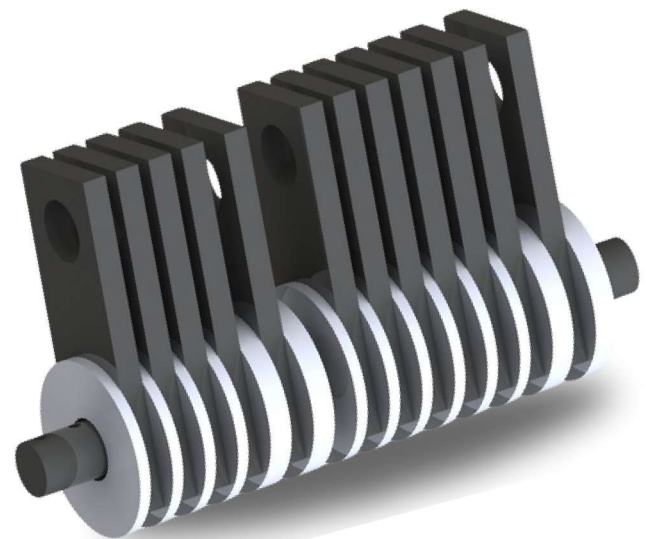


FULLSHRED™ FLAILS INCREASES SHREDDING POWER

Forget struggling with branches! The Yardbeast 2090 packs a punch with 6 razor-sharp, heat-treated Fullshred flails. These axe-like blades tackle tough materials that would slow down regular chippers. This powerful combo -along with hammers- shreds faster, saving you valuable time.

SET OF HUNGRY IMPACT HAMMERS

Turn leaves and green waste into mulch in a flash! The 2090's 24 heat-treated impact hammers (Rockwell C50 hardness) pulverize materials with incredible force. Imagine a demolition crew inside the chipper chamber! These hammers smash and shred along a circular path, breaking everything down to a small enough size to pass through the screen.



D2
TOOL STEEL

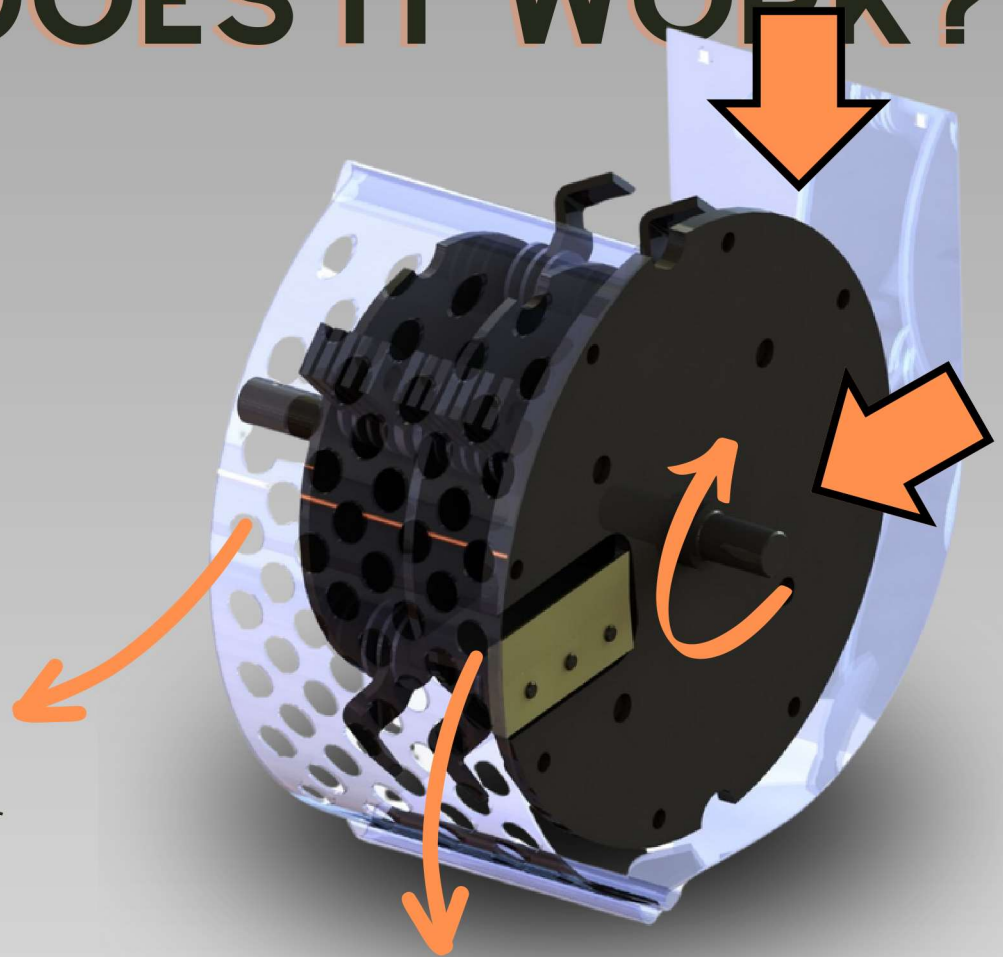
SUPER SHARP TOOL STEEL GRADE BLADE

The Yardbeast 2090 features a D2 tool steel blade – the same tough stuff used in industrial forming dies on a machine shop. This means incredible sharpness that lasts – shred through mountains of wood without constant sharpening interruptions.

Up to 4,600 cuts per minute!

HOW DOES IT WORK?


There are two feed hoppers on the 2090. The top hopper is dedicated for shredding leaves and saplings up to 3/4-inches and the side hopper is exclusively for chipping branches up to 3.5 inches. Material that enters the top chute, is encountered and processed by the impact hammer and the Fullshred flails while the branches that enter the side chute are chopped by the tool steel grade blade. All material is reduced to a size that is able to exit an interchangeable sizing screen. The material is expelled by the airflow created by the rotor vanes. The chips are then discharged at floor level.



CHIPPING



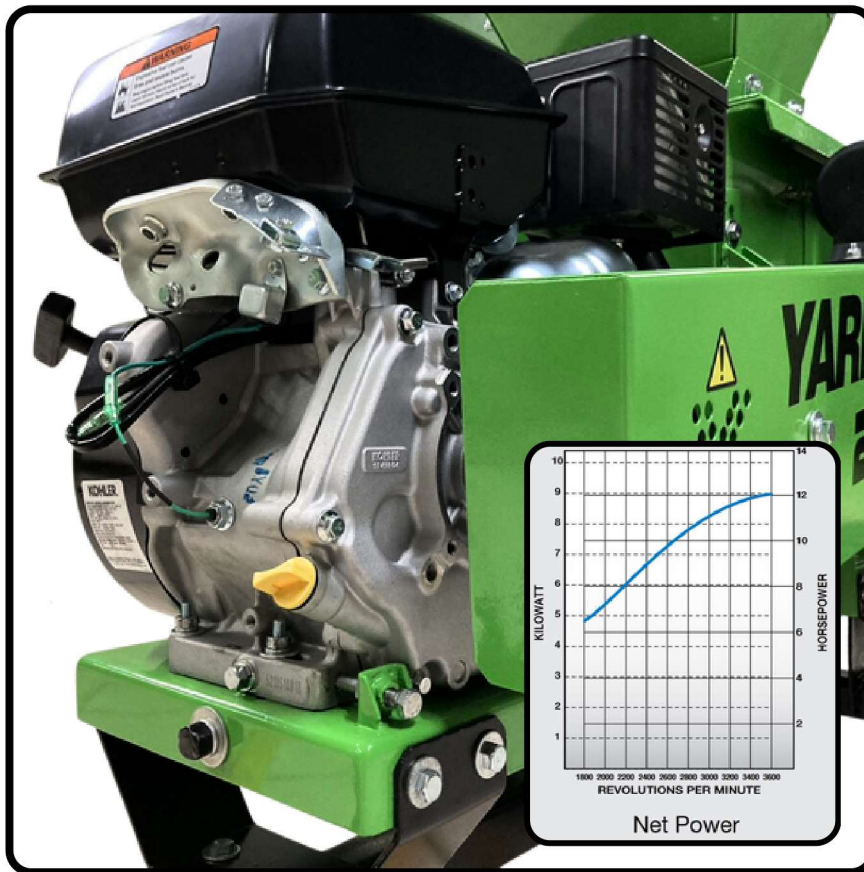
SHREDDING



The Yardbeast 20909 brings a standard screen with 7/8 inch hole pattern. Other types of pattern size screens are available upon request. Available patterns range from 0.5 in up to 1 inch.



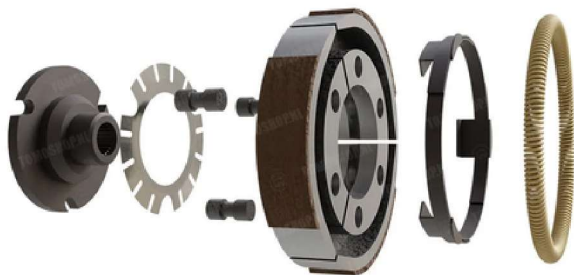
POWERED BY THE BEST



The Yardbeast 2090 features a trusted Kohler® Command Pro CH440 engine. This globally recognized powerhouse delivers outstanding performance and keeps things clean with a 4-stage air filtration system. Plus, a low oil sensor ensures peace of mind. And to top it off, it's CARB/EPA approved, so you can chip green responsibly.



POWERFUL CLUTCH



Get to work faster with a smooth start! The Yardbeast 2090 uses a heavy-duty automatic clutch. No need to worry about engaging it manually – it kicks in automatically when the engine reaches the right speed. This smooth, no-fuss system gets you chipping quickly and efficiently.

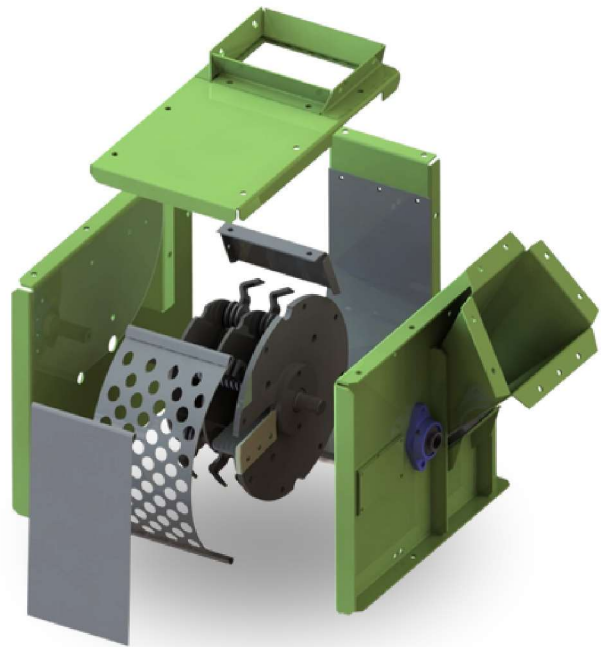
RELIABLE BELTS



The 2090 utilizes a dual Gates® Hi-Power II belt, that is renowned for their reliability and durability among high power demanding jobs. Great features among this belt are Flex-Weave™ oil and heat resistant cover Meets ARPM/RMA IP-3-2 oil and heat resistant standards

KISS PRINCIPLE

At Yardbeast, we believe in keeping things simple – that's the KISS principle in action (Keep It Simple, Silly!). Why? Because we design our chippers with you in mind. Easy to use, easy to maintain, and easy to repair – that's what makes Yardbeast chippers so reliable. We focus on creating a smooth user experience from start to finish.

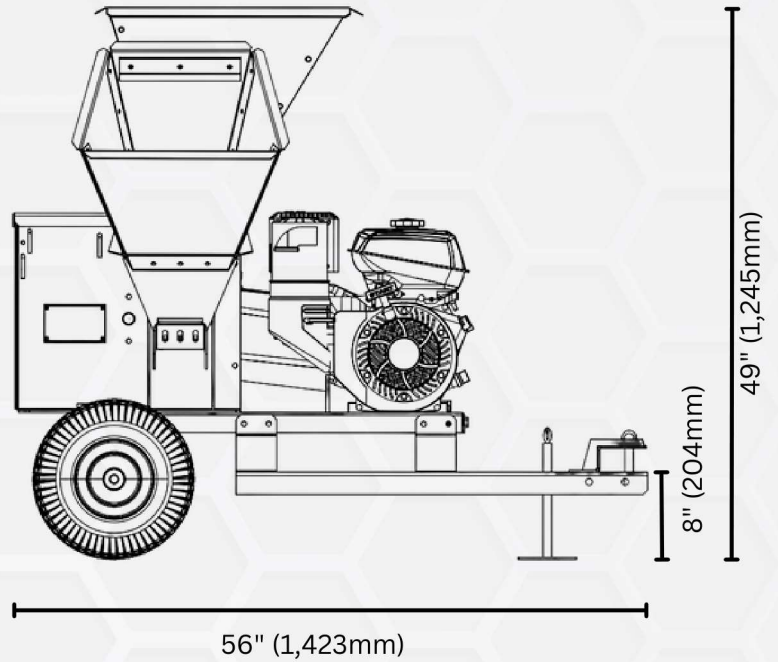
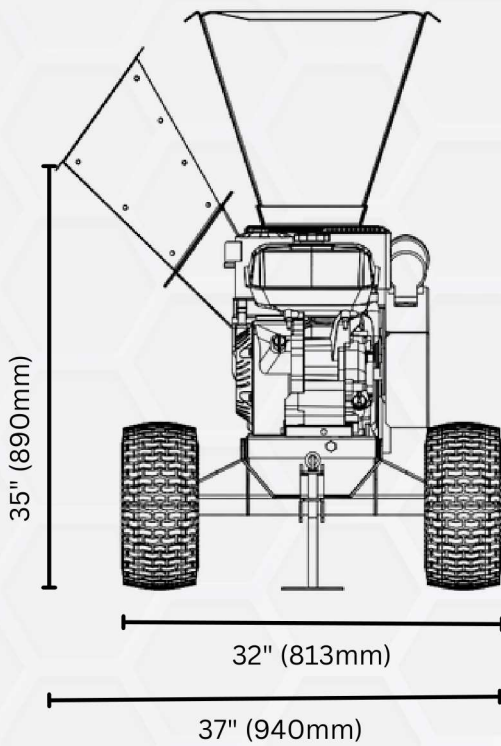


TOW IT LIKE YOU MEAN IT!

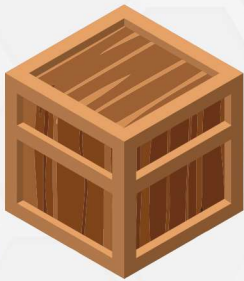


The Yardbeast 2090 lets you switch between a hitch pin or ball trailer coupler (optional) for effortless movement around your property with your ATV vehicle or truck. Plus, the wide 16-inch wheels ensure a smooth ride and help you avoid bumps and obstacles. And the best part? The fully bolted trailer tongue makes it highly adaptable. Need to connect the chipper to a different towing setup for a specific job? No problem! Also available a tongue wheel dolly if you need to tow it by hand.

CHIPPER DIMENSIONS



SHIPPING DIMENSIONS



The chipper is shipped in a robust metal cage that contain all the parts required for assembly. (Tools must be provided by owner). User manual is lodged inside the black plastic manual canister above the belt guard.

CRATE SPECS

Length: 44" Width: 35"
Height: 44" Weight: 420lb



All of our chippers are shipped from our warehouse in Miami, Florida by LTL (Less-than-Truckload) freight across continental United States.

Our goal is to make the best chippers.

We take pride in being a customer-oriented organization. We design, fabricate, test, and ship our units directly to our dealers and customers like you.

Since our origins, it has been our mission to provide second to none quality wood chippers that will stand the test of hard work in time. We achieve that by combining a variety of factors such as simplicity of use, heavy-gauge materials, top-quality third-party components, and a one-user operating and maintenance design mindset.



Owners of our chippers will confirm that they have a sturdy, powerful, top quality product that delivers. We're proud not only of our chipper's efficient abilities but also for its sleek design. In fact, we love every part of it! We think you will too.

At Yardbeast, we stand behind our products and fully support our commercial customers by offering a limited 1 year or 1,000-hr US commercial warranty that includes consistent and reliable technical advice, spare parts, and a network of US-domestic servicing dealers to provide a fast turnaround from downtime to operation.

Once you get to know your Yardbeast, you will find yourself with an easy to use, dependable piece of equipment that will be there to help you through your yard clearing jobs for many seasons to come.

Have Questions? Get in touch!

☎ (305) 396-3396

✉ sales@yardbeast.com