

YARDBEAST®

3514

3.5" (89mm) Heavy-Duty Wood Chipper

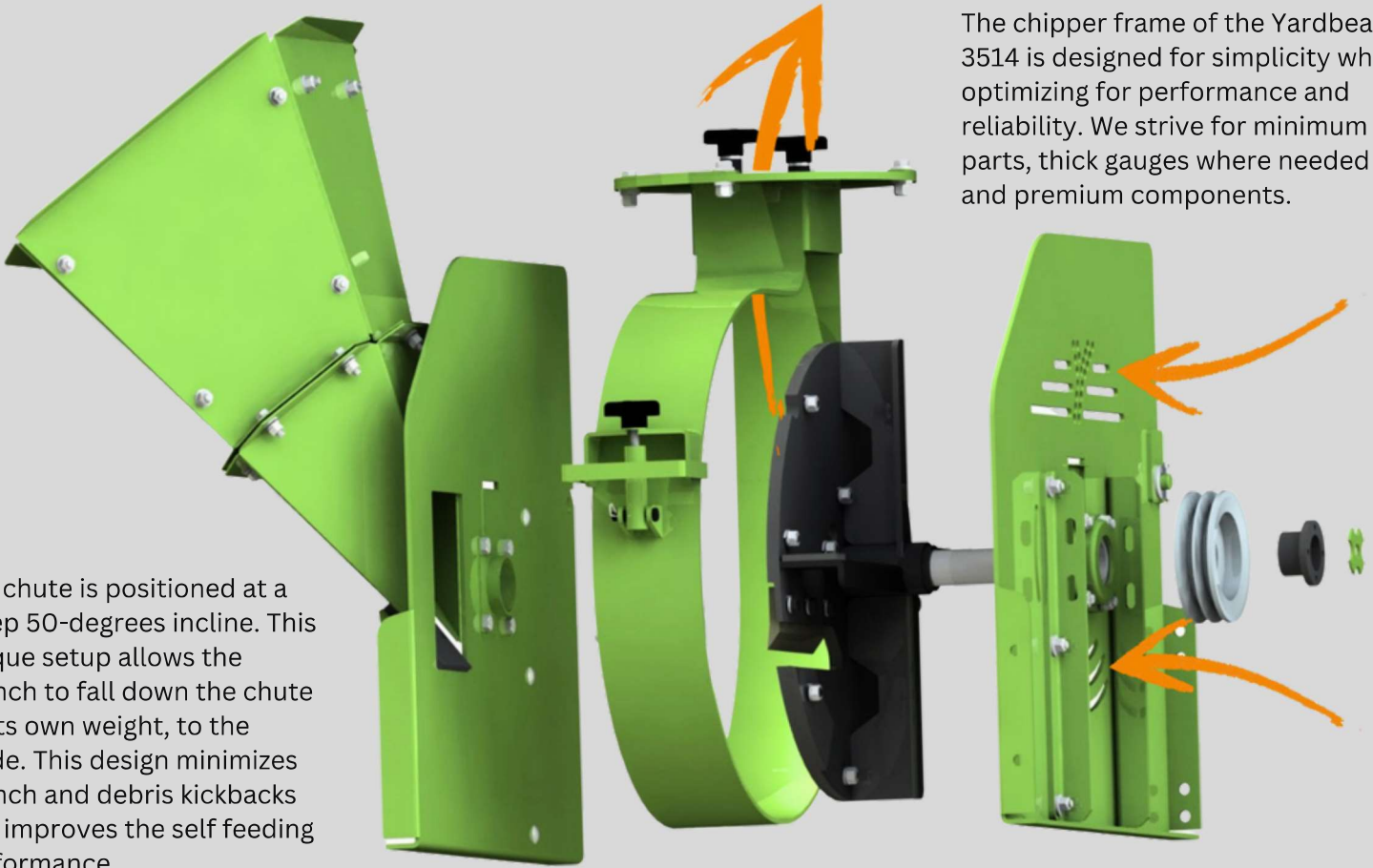


powered by
KOHLER®
IN POWER. SINCE 1920.

RELIABILITY



THE CORE



The chipper frame of the Yardbeast 3514 is designed for simplicity while optimizing for performance and reliability. We strive for minimum parts, thick gauges where needed and premium components.

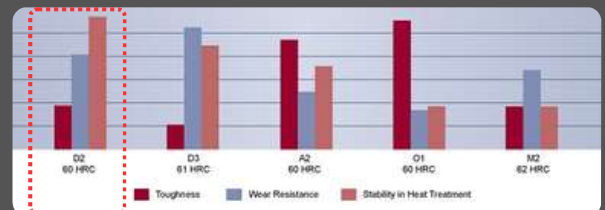
The chute is positioned at a steep 50-degree incline. This unique setup allows the branch to fall down the chute by its own weight, to the blade. This design minimizes branch and debris kickbacks and improves the self-feeding performance.



The rotor is a wafer-type design with an overall 7/16" thickness. The design is a single blade rotor that is dynamically balanced. This configuration allows the Yardbeast to deliver an unprecedented performance since it allows the chipper to recoup inertia and engine speed a full turn for every cut! The rotor comes with 4 vanes in the back that create airflow while throwing.



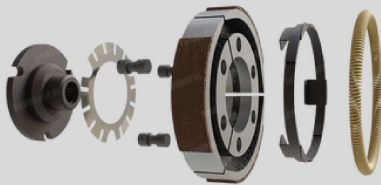
The blade on the Yardbeast 3514 is fabricated of D2 Tool Steel. It is hardened abrasion-resistant steel that maintains good flexibility mechanics.



HAND TOWED

Conquer every chipping challenge on your property! The Yardbeast 3514 hand-towed wagon kit lets you effortlessly maneuver the chipper around your house or yard with its 4 wheels wagon design. No more back-breaking lifting or wrestling while balancing the chipper on two wheels – grab the hand pull bar, and enjoy the freedom to tackle branches wherever they lie.

It's chipping convenience redefined!



The centrifugal clutch comes with a dual pulley and thick friction pads to provide plenty of working hours under heavy loads. These clutches are virtually maintenance free.



Say goodbye to complicated maintenance! The Yardbeast 3514 boasts a simple yet effective split-chipper frame design. Simply lift the top cover and the entire chipper frame hinges open, exposing the chipper rotor in all its glory. This unique approach grants you unprecedented access for routine maintenance. Replacing the blade, cleaning internal components, and adjusting the anvil-blade gap become effortless tasks.

3514 ATV



Need to take your chipper to longer strides around your place? The Yardbeast 3514 with the ATV tow kit is built for easy maneuverability around your property. Its low center of gravity, along with the wide 15-inch by 6-inch wheels, provides exceptional stability to prevent tipping over even on uneven terrain. These wide wheels also offer superior flotation, making it easier to navigate through soft spots like mulch or dirt.

The Yardbeast 3514 features a collapsible tow bar that folds up with a simple pin removal, saving precious storage space in your shed or garage. This allows you to easily tuck the chipper away when not in use.



Your Yardbeast 3514 ATV hitch can easily be transformed from a pin hitch to a ball coupler style giving you the ability to tow this chipper with different vehicles.



FEATURES



3/8 inch thick adjustable anvil with dual edge, can be flipped over to extend re-sharpening intervals. Anvil base is double welded all around to significantly increase its load support.



Bearing units come with metallic seal that protects the inner tracks and balls, extending the operational life of the units making them virtually maintenance free.



You can choose where to throw the chips by rotating the discharge chute. Simply loosen two knobs and move where desired. To adjust throwing distance, you can adjust chip deflector.



On a chipper, air flow is important to cool components, while carrying wood chips out of the chipper and discharge them as far as possible. Uniquely designed hole pattern optimizes air flow through the 3514 while keeping the chipper cool.

FEATURES



Manuals and tools can be safely stored in the integrated heavy duty all weather manual canister.



The design of the wide, short chute makes this chipper ideal to eat riddled or twisted branches while self feeding, saving you lots of pruning time!

GREEN WASTE THIS CHIPPER CAN PROCESS...



BAMBOO

This chipper is best at chipping green bamboo. Dried old bamboo tends to break apart while chipping. Adjust anvil to 3/32" gap.



PALM FRONDS

The 3514 is great at chipping palm fronds, green or dry. To minimize long leaves from passing through adjust to 1/8" gap.



BRANCH W/LEAVES

This chipper will process leaves that are still attached to the branch, green or dry. To chip both, it is better to adjust the gap from 3/32" to 3/16"

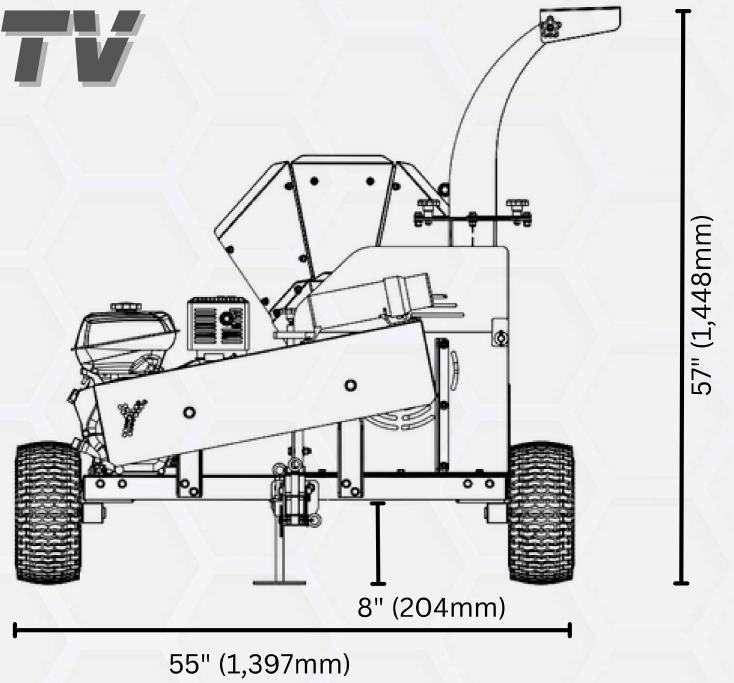
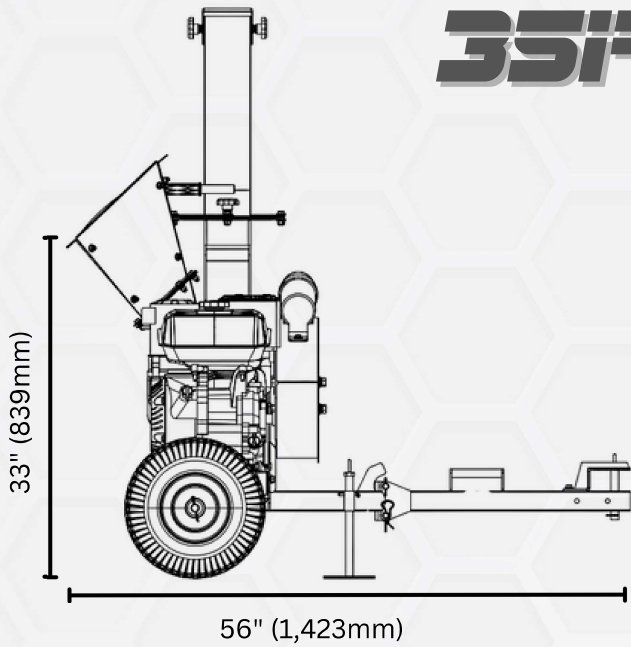


BRANCHES ONLY

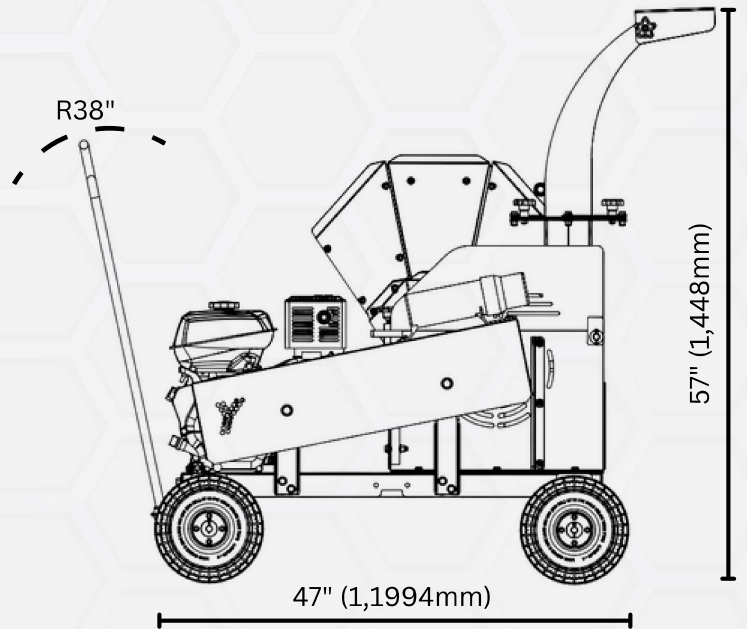
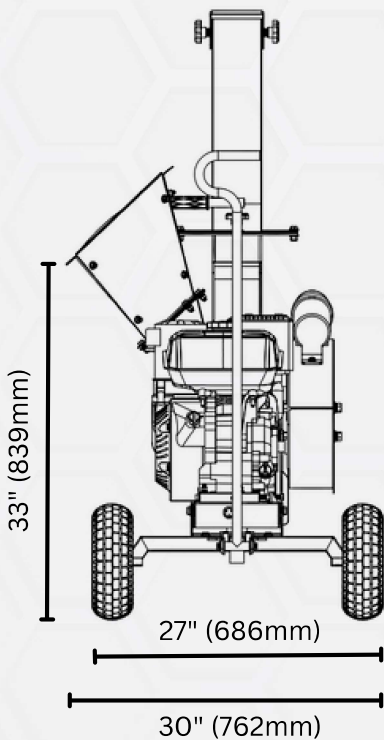
Green, dry or resinous branches, no problem! If you are chipping a variety of types rule of thumb is to leave a 3/32" to 1/4" gap.

CHIPPER DIMENSIONS

3514ATV



3514



ENGINE POWERHOUSE



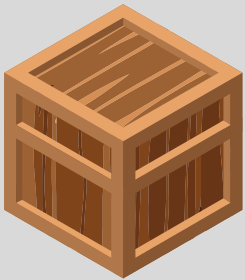
CH-440

KOHLER
IN POWER. SINCE 1920.

Introducing the Kohler Command Pro CH440, a professional-grade 14HP engine built for tough jobs. This hard-working engine features a heavy-duty air cleaner, forged-steel crankshaft, and electronic ignition for reliable performance. Other important features that set this engine as the ideal powerhouse for the Yardbeast 3514 are:

- Low-Oil Shutdown Sensor
- Quad-Season Cyclonic Air Filter
- Large Capacity Fuel tank
- Cast Iron Cylinder

SHIPPING DIMENSIONS



The chipper is shipped in a robust metal cage along with a kit package depending on the type of tow package ordered. (Tools must be provided by owner). User manual is lodged inside the black plastic manual canister above the belt guard.

CRATE SPECS

Length: 47" Width: 32"
Height: 34" Weight: 320lb

HAND TOW KIT

Length: 39"
Width: 12"
Height: 12"
Weight: 33lb

ATV KIT

Length: 41"
Width: 15"
Height: 11"
Weight: 45lb



All of our chippers are shipped from our warehouse in Miami, Florida by LTL (Less-than-Truckload) freight across continental United States.

Our goal is to make the best chippers.

We take pride in being a customer-oriented organization. We design, fabricate, test, and ship our units directly to our dealers and customers like you.

Since our origins, it has been our mission to provide second to none quality wood chippers that will stand the test of hard work in time. We achieve that by combining a variety of factors such as simplicity of use, heavy-gauge materials, top-quality third-party components, and a one-user operating and maintenance design mindset.



Owners of our chippers will confirm that they have a sturdy, powerful, top quality product that delivers. We're proud not only of our chipper's efficient abilities but also for its sleek design. In fact, we love every part of it! We think you will too.

At Yardbeast, we stand behind our products and fully support our commercial customers by offering a limited 1 year or 1,000-hr US commercial warranty that includes consistent and reliable technical advice, spare parts, and a network of US-domestic servicing dealers to provide a fast turnaround from downtime to operation.

Once you get to know your Yardbeast, you will find yourself with an easy to use, dependable piece of equipment that will be there to help you through your yard clearing jobs for many seasons to come.

**Have Questions?
Get in touch!**

☎ (305) 396-3396

✉ sales@yardbeast.com