

YARDBEAST®

452i

4.5" (115mm) Commercial Grade Wood Chipper

**Unleash
the
Beast!**





TAME THE BRANCHES ROAR WITH RESULTS

Yardbeast aren't just chippers, they're game-changers. They're the edge you need to conquer backyards, clear construction sites, and maintain sprawling landscapes with confidence and ease. Experience the Yardbeast difference – it's time to unleash the beast within your work.



PERFORMANCE IN

BEAST MODE

The Yardbeast 4521 will make quick work of any pile of branches up to 4.5 inches in diameter. You will clearly notice the powerful gravity self feeding and rapid recovery intervals by its powerful engines and robust transmission.

HEAVY DUTY FRAME

Heavy-duty frame: Built with thick steel and reinforced welds, this chipper can handle years of heavy use. Think of it as a grizzly bear in the wood chipper world.

PREMIUM COMPONENTS

Every part of this chipper is thoroughly vetted to ensure that the quality of the components exceeds the expectations of our customers. From the bolts to the paint, everything on the Beast is premium sourced.

KISS PRINCIPLE

We utilize the KISS (Keep It Simple Silly) to bring our chippers to a minimal design that satisfies the expected performance while having the ease of mind on easy maintenance, repair, and replacement parts ordering.

MINIMAL DOWNTIME

Yardbeast stands behind their products with a comprehensive warranty and readily available parts. So, if anything does go wrong (unlikely!), we are here to support you and bring back your unit to chipping readiness in no time.

IT'S ABOUT MAKING YOU **STRONGER.**

POWERFUL ENGINES

Choose from either a 20HP FNA CRX® or the 20.5HP KOHLER Command Pro®, both known for their unwavering performance and long lifespans. These engines are the lions powering this beast.

MORE CLUTCH. MORE TORQUE

Our chippers are fitted with a Commercial duty Tri-Lobe centrifugal clutches that provide heavy duty performance going strong through stalls and countless hours of chipping. The clutch shoes are mounted on sealed bearings for longer operational life.

AMAZING CUTTING PERFORMANCE

The amount of self feeding this chipper delivers is second to nothing seen in the field on gravity-fed chippers. This is done with carefully angled A8 steel blades that are resistant to abrasion while keeping a good flexibility through each cut.



DEPENDABLE TRANSMISSION COMPONENTS

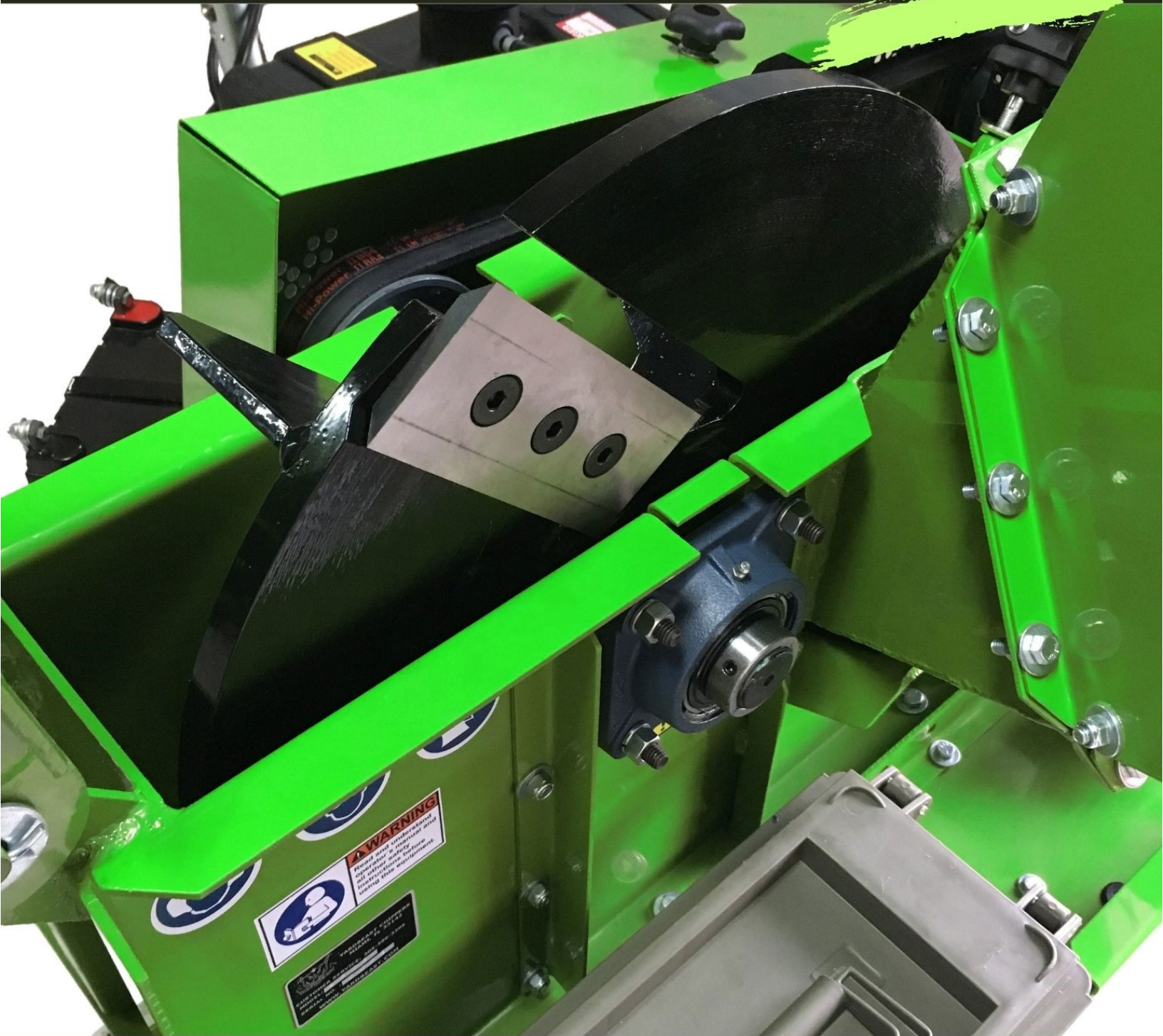
Each of our chipper is fitted with a Gates Hi-power belts that brings EPDM for resistance to weathering, oils, water, and some solvents and other features for evenly load distribution along the sidewalls and length of the belt.

The belt is always kept tensioned thanks to a load buffer idler that allows the belt to flex while helping maintain the belt tensioned.



THE HEART OF THE

BEAST



MASSIVE INERTIA

an 88-pound rotor, a hulking steel core spinning with unstoppable momentum. Imagine a linebacker in a blender – its inertia devours branches whole, pulverizing them into dust with each relentless revolution

DUAL EDGE BLADE

The secret sauce of butter like chipping comes from razor sharp blades. Our dual edge blades are made from A8 steel that gives an advantage of tremendous sharpness while being flexible and abrasion resistant.

PREMIUM BEARINGS

Excellence of the 4521 relies heavily on its pair of SKF® bearing units that provides superb dynamic load resistance and is protected against heavy debris contamination.



CARB/EPA APPROVED FUEL SYSTEM

The core is a Flambeau 5-gallon fluorinated tank, a tough and resilient beast crafted to withstand the bumps and jostles of off-road work. Its EPA and CARB approval ensures it meets strict environmental regulations, so you can chomp through branches with a clean conscience.

Partnered with the tank is a 400cc vapor trap canister, a silent guardian that captures harmful fuel emissions before they escape into the atmosphere. Imagine it as a tiny air filter, diligently scrubbing the beast's breath to keep the air around you fresh and clean.

GREAT SUCTION POWER FOR HIGH VOLUME DISCHARGE

As the Yardbeast chomps through wood, its blades churn and spin, creating a low-pressure zone within the chipping chamber. This vacuum effect naturally pulls air through the back holes.

It's a calculated dance of larger and smaller openings, arranged to maximize air intake. The larger holes act like hungry mouths, gulping in massive amounts of air, while the smaller ones add a swirling turbulence that accelerates the airflow.





IT'S ALL ABOUT THE **RIDE**

Conquer any jobsite with the confidence of up to 17 inches of ground clearance, thanks to the axle-less suspension and massive 205/65-R10 multi-terrain wheels.

WHAT IS AXLE-LESS SUSPENSION?



The Yardbeast's torsion stub suspension flexes, not folds, absorbing bumps and jolts like a champ. It keeps your chipper steady, even when the ground gets rough. Each wheel flexes solo, giving you improved stability and higher ground clearance from absence of a connecting axle.

SELF-FEEDING POWER



The Yardbeast 4521 isn't just a wood chipper, it's a ravenous beast with an insatiable appetite for branches. Its self-feeding prowess starts with a steep 44-degree feeding angle chute, perfectly angled to lure in limbs thick and thin. But the real magic lies in the heart of the Beast: the rotor. Here, the blades sit within a meticulously machined cradle set at a crucial angle. This seemingly small detail is the key that unlocks the 4521's self-feeding power!

CHOOSE YOUR ENGINE

KOHLER 
MADE IN USA
IN POWER. SINCE 1920.

HORSEPOWER: 20.5 HP
DISPLACEMENT: 641CC
MAX TORQUE: 35.7LB-FT
DRY WEIGHT: 90 LB
OIL CAPACITY: 2 QTS
ELECTRIC START

Integrated oil coolers extend oil-change intervals and maintain low temperatures during the entire power range

High-efficiency, heavy-duty air filters provide protection from debris and ensure longer service intervals

Extra-large sleeve bearings support heavy loads in commercial and industrial environments.



CRX
OPTIMIZED PERFORMANCE

HORSEPOWER: 20 HP
DISPLACEMENT: 678CC
MAX TORQUE: 30.9LB-FT
DRY WEIGHT: 109 LB
OIL CAPACITY: 1.48 QTS
ELECTRIC START

Commercial-style advanced air filtration system helps maintain optimal power on dusty work sites

Precision-machined, forged iron crankshaft designed for low vibration and toughness required for the most extreme duty cycles

Low oil auto-shutdown sensor prevents damage to the engine when oil volume is low



SPECIFICATIONS

CHIPPER

- Chipping capacity: 4.5" (115mm)
- Rotor RPM: 2,300
- Rotor Weight: 92 lb
- Blade: Dual A8 Tool Steel Reversible Blade
- Blade dimensions: 7" x 3" x 3/8"
- Rotor Construction 3/4" thick steel with 3/8" rotor vanes
- Flywheel: 21" (534mm)
- Feed Hopper: 30" x 20" fixed with industrial duty debris guard
- Frame construction: 3/16" thick steel. Weld seams all around
- Bearing units: SKF® roller sealed bearings /custom steel housing
- Discharge height: 75" (1,905mm)
- Control: Adjustable discharge deflector
- Chipper Weight (w/engine): 860 lbs.

ENGINE OPTIONS

- Kohler CH742 Command Pro® 25HP engine with Electric Start
- FNA CRX 680 20HP with Electric Start

TANK SYSTEM

- Fuel Tank Capacity 5.0 Gal Fluorinated w/ Carbon Vapor Canister CARB Approved
- Emissions CARB/EPA Tier III Certified

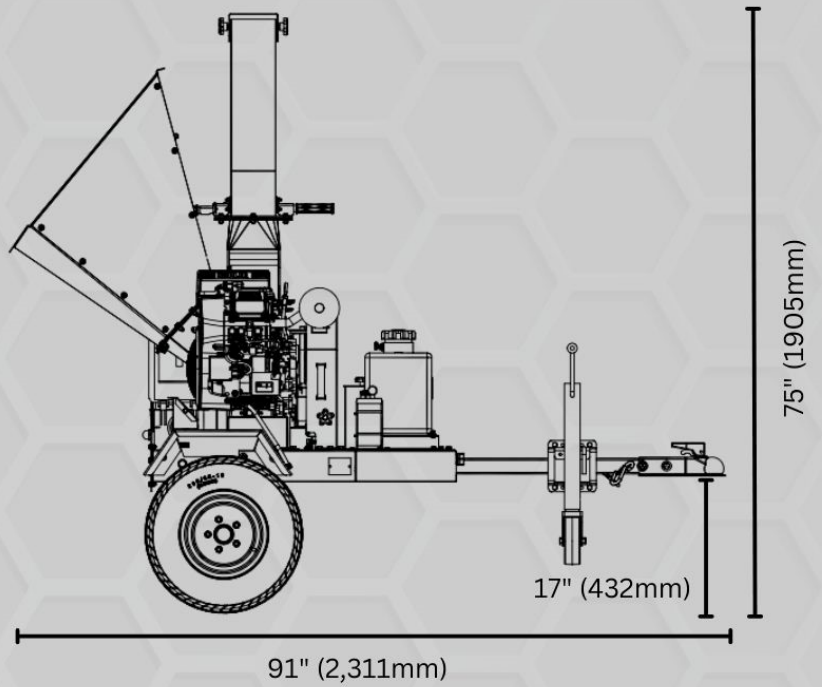
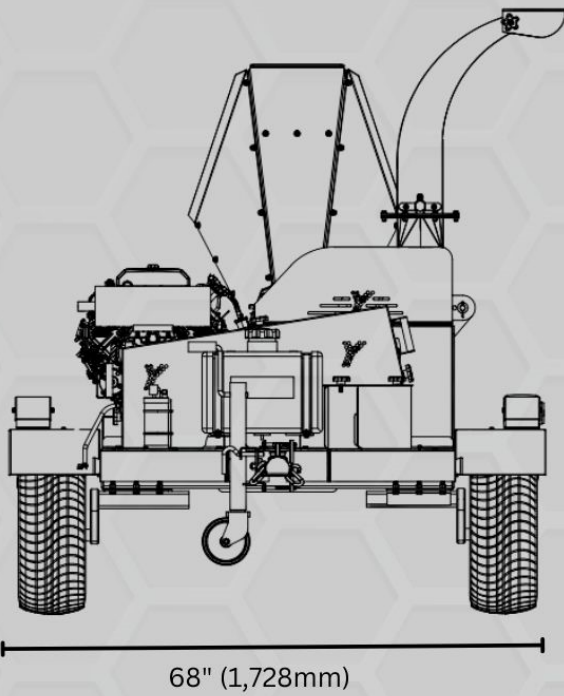
TRANSMISSION

- Drive: NORAM® Commercial centrifugal clutch
- Belts: Gates® Dual Ribbed Banded Belt
- Rotor Pulley: Cast Iron 2-Groove pulley with 1-1/2" taper hub

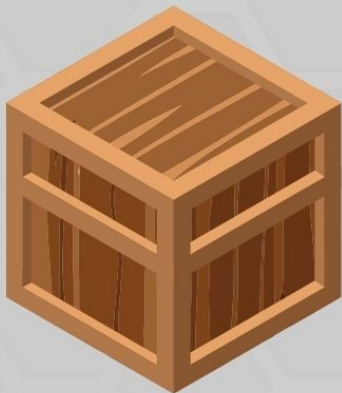
TRAILER

- Wheels: 20.5" High-Speed Wheel - 5 spoke
- Frame construction: 1/8" thick steel with engine base tension plate, and structural crosslinks
- Total Frame width: 68"
- Suspension: Torsion stub suspension
- Guards: Belt Guard with 3-point support
- Rear Axle: Fixed, 1/8" Steel thick 21-1/4" wide
- Hitch: 2" Class-II Ball Hitch Coupler with chain hooks
- Trailer: DOT Compliant Trailer with suspension with lightning kit and trailer connector

CHIPPER DIMENSIONS



SHIPPING DIMENSIONS



CRATE 1

Length: 74"
Width: 50"
Height: 45"

Weight: 950 lb



CRATE 2

Length: 34"
Width: 32"
Height: 37"

Weight: 150 lb



All of our chippers are shipped from our warehouse in Miami, Florida by LTL (Less-than-Truckload) freight across continental United States.

Our goal is to make the best chippers.

We take pride in being a customer-oriented organization. We design, fabricate, test, and ship our units directly to our dealers and customers like you.

Since our origins, it has been our mission to provide second to none quality wood chippers that will stand the test of hard work in time. We achieve that by combining a variety of factors such as simplicity of use, heavy-gauge materials, top-quality third-party components, and a one-user operating and maintenance design mindset.





Owners of our chippers will confirm that they have a sturdy, powerful, top quality product that delivers. We're proud not only of our chipper's efficient abilities but also for its sleek design. In fact, we love every part of it! We think you will too.

At Yardbeast, we stand behind our products and fully support our commercial customers by offering a limited 1 year or 1,000-hr US commercial warranty that includes consistent and reliable technical advice, spare parts, and a network of US-domestic servicing dealers to provide a fast turnaround from downtime to operation.

Once you get to know your Yardbeast, you will find yourself with an easy to use, dependable piece of equipment that will be there to help you through your yard clearing jobs for many seasons to come.

**Have Questions?
Get in touch!**

 (305) 396-3396

 sales@yardbeast.com