

# **YARDBEAST**

## **WOOD CHIPPERS BUILT TOUGH.™**



1925 NW 21<sup>ST</sup> TERRACE  
MIAMI, FLORIDA 33142

**(305) 396-3396**



# WITH YARDBEAST

When it comes down to choosing your next wood chipper, there is no way to go wrong with a chipper from YARDBEAST.

Since introducing our first chipper shredder back in 2006, we have been delivering nothing but the best quality of craftsmanship and materials into each one of our products.

At YARDBEAST we design, test, fabricate and *listen* to our customers for valuable feedback that allows for a constant evolution of our chippers into truly great pieces of equipment to own and use.



# IT'S TIME TO RECLAIM

## Simple | Safe | Efficient

All of our wood chippers are simple -easy to use equipment relying on thick steel and powerful engines to help you get the job done fast and efficiently. Our wood chippers are powered by Kohler Command Pro premium engines starting from 9.5HP up to 20.5HP. Our chippers feature heavy-duty engine clutches for easy starts and shock load protection and all of them carry tool steel blades. You will find yourself using our products in a fun, safe and professional way.

It's time to get out with your Yardbeast and reclaim your valuable piece of property from those nasty looking dead branches, and in exchange, you will get awesome looking mulch to improve your property looks and also precious nutrient rich compost material to improve the quality of your soil.

## “MAKE MULCH PATHWAYS!”



(305) 396-3396 | [www.yardbeast.com](http://www.yardbeast.com)



# YOUR PROPERTY FROM UNWANTED BRANCHES



Our chipper shredders take care of the green shrubs and leaves, with a reduction ratio of up to 13:1.

Many more landfills are not accepting green waste anymore.

Yard waste is the third largest waste generated in the U.S up to 35 million tons. With these alarming numbers, there is no wonder landfills at many municipalities are not accepting green waste anymore. In fact, due to composting education efforts and regulations, yard waste disposal has decreased by 50% over the last two decades. Join the movement! Get your chipper and start chipping now.



With self feed action, you can chip lots of branches, green or dry, soft or hardwood and the wide hoppers allow for chipping curly branches too.



Beautiful nutrient rich mulch is what is left over after a good chipping session. You can use these chips in many creative ways around your property!

## YARDBEAST



# A BEAST THAT WILL GET THE JOB DONE.



## COMMERCIAL POWER AND DESIGN FOR **YOU.**

That's right. We bring you the best out of the commercial chipping world and fit it in every unit we make. From world class transmission components, to simple yet robust design. We make it happen so that you focus more on the task instead of the machine.

Our chippers are designed to withstand the harshness of large periods of chipping from a variety of woods -dry and green material-, hour after hour, for years to come.

You won't know the value of your property until you put away the ugly views from those riddled branches sitting on the back of your property for some time now.

Yardbeast is here to provide you with the best chippers to make your property look like the best in a safe, simple and efficient way.



On our dedicated chippers, you can conveniently dispose of your wood chips on garbage bins or pickup beds. Rotational discharge on the 3514 works great when it is setup for ATV towing.



The chipper box is tough and durable because it is fabricated from 3/16" thick ASTM36 steel and powder coated inside and out. Moreover, the chipper box is split for instant access to blade inspection and other inner elements.



# SIMPLE STRAIGHT DESIGN FOR EASE OF USE.

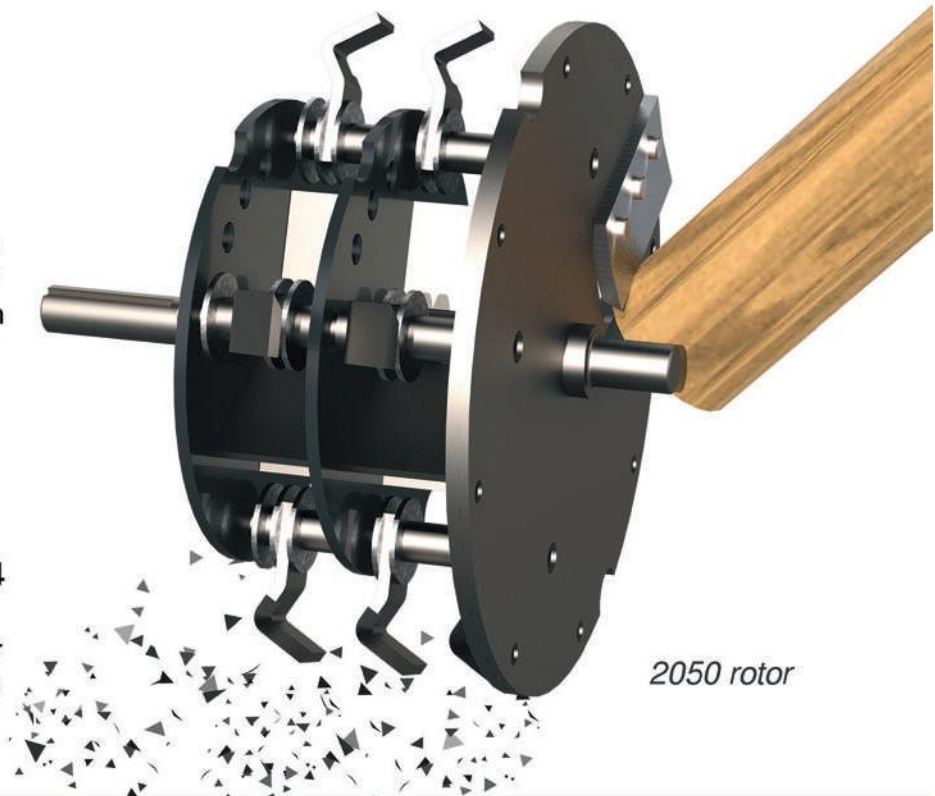
The rotor on the 3514 creates powerful negative air pressure forcing outside air flow into the chipper box carrying away the wood chips through the discharge.



**BUILT A  
BEAST.**

The Yardbeast features a carefully angled blade made of special tool steel that creates an outstanding self feeding work. The blade hits the branch at an average speed of 225MPH. Every time the blade hits the branch, a thin loaf is cut. This loaf is then knocked by a *loaf braker* which reduces the loaf to chips. On the chipper shredders, this loaf and the larger chips are further reduced by the flails or hammers until it is thrown out the screen through the desired hole size (7/8" std, 2090, 2050).

The dedicated chippers (such as the 2510, 3514 and the 4521) have special air suction holes that increases the air flow rate on the chamber to create a stellar thrust to launch the chips up to 30ft away.



**YARDBEAST**



# A BEAST THAT WILL GET THE JOB DONE.

# THROUGH SIMPLE YET INNOVATIVE DESIGN .

## D2 Tool Steel Knife

The Yardbeast blade is made of the toughest yet flexible and abrasion resistant steel there is on Earth. The D2 steel, a mix of many elements like chromium, combine to create a knife that can withstand tough chipping jobs for long periods of time.



## Heavy-Gauge Steel Chipper Chamber

We utilize thick ASTM 36 steel on our chipper frames and boxes made. All metal parts on our chippers are coated with TGIC powders for improved outdoor protection against corrosion and weather elements.

## Heavy-Duty Roller Bearings

The roller bearings used on the Yardbeast are top notch Italian bearings with high temperature lubricating grease for maximum reliability on extended operation times. The bearings are fitted with metallic seals for better debris resistance and a zerk fitting is provided for fast and convenient greasing.



## Premium and Powerful Engines.

Yardbeast utilizes only the best power source with the most advanced technology available. That is why Yardbeast are fitted with Kohler Command-Pro engines. Resistant to all weather conditions, quad cyclonic air cleaning system and cast-iron cylinders are only a few of plenty of features these engines carry.



We offer a 2-year/90 day commercial warranty on our residential wood chippers.

## Thick Anvils

A thick anvil is necessary to put up with the fury from the chipping blade. All anvils are heat treated to Rockwell C50 and they are reversible.



**UP TO 13:1  
REDUCTION RATIO**

## Solid Heavy Rotor

No heavy duty chipper can chip big diameter branches without a heavy rotor. A heavy rotor increases the fly-wheel inertia before every impact providing a smoother operation of the chipper and the engine. Our heavy duty rotors are built from thick wafer discs and designed for one blade cutting; a powerful combination for tackling through big and dense branches.



## Move it, Tow it

The Yardbeast lineup offers both Hand, ATV and Highway tow chippers for varied applications. Shown in picture is the Yardbeast 2090 that comes standard with ATV/Garden tractor towing setup. All chippers have optional ATV tow kits available.



## Wide Feed Chutes

We understand that in the real world, the least you will find are straight branches. That's why we have made our chippers with wide feed chutes and feed holes; so you do less pruning and more chipping!

## Frequently Asked Questions

### Why would I buy a Yardbeast chipper?

Everything on the Yardbeast is built heavy duty. We cannot imagine the type of work chippers endure with light steel gauges or lesser quality components like on cheaper products. The Yardbeast is designed to last for years. That is why our units are a breed above the rest; a mix between consumer and professional machines; a chipper for residential customers with features you will only see on commercial-grade machines.

Yardbeast follows a very straightforward and simple design philosophy. Much of the unit is bolted, giving you the convenience of easy parts replacement and maintenance. All of our chippers come with tool steel grade blades and heavy duty engine clutch.

### Is the Yardbeast easy to operate?

The Yardbeast is very easy to operate. Just get comfortable with startup/shutoff engine operations. Start engine and engage the throttle to max speed, and you will be chipping in no time. Side chute is for chipping; top chute is for shredding and trailing discharge is for wood chips and mulch on the shredders.

### What can the Yardbeast chip?

The Yardbeast can chip all types of green and dry woods. Hardwood or softwood as long as it does not exceeds the maximum diameter per design. In particular, the shredder works best with dry leaves but also green leaves are shredded efficiently. The 2510, 3514 and 4521 perform best if you need to chip palm fronds.



# 2510 MODEL 2.5" (64MM) PRO CHIPPER

The Junior  
beast.  
Ideal for small  
properties.



**"I love my 2510"**  
*"My 2510 helps me take control of my diverse trees in my property. It has been a real life saver"*  
Popy C. Wellington, FL

## Chipper Specifications

Chipping capacity: 2.5" (64mm)  
Rotor RPM: 3,000  
Rotor Weight: 16 lbs  
Blade: D2 Tool Steel Blade  
Make: Kohler® CH395 9.5HP  
RPM: 3,300 | 277cc displacement  
Torque: 14ft-lbs @ 2,400RPM  
Drive: Heavy-Duty Clutch  
Machine Weight: 232-lbs.  
Towing: Hand Tow Wagon Kit



The 2510 Junior Beast is our smallest chipper in the lineup. This little beast is able to munch through 2.5" thick branches fast! Its wagon kit trailer style provides smooth tow. Start this beast easily with its heavy-duty centrifugal clutch. 277cc of power (up to 9.5HP) will help you get the job done quick. The goose neck style discharge allows for tossing the chips on garbage containers or trucks.



# 3514 MODEL 3.5" (89MM) PRO-CHIPPER

## Corageous power for bigger chipping applications.

A bigger chipper with plenty of power to destroy branches quick and efficiently up to 3.5" thick. Its monstrous self-feeding action comes very handy for one operator use. Easily tow away by hand to your chipping location. If need be, an ATV towing kit is offered optional for longer work distances.



You can choose either the ATV or the Hand towing kit on the 3514!

2" BALL TRAILER COUPLER AVAILABLE.



### "What a beast!"

*"Yardbeast, let me just say this is one awesome addition to my fleet. I have already put down approximately 18-hours of hard use and hands down, it is a true beast"*

*D. Elliot, Buffalo, NY*

### Chipper Specifications

Chipping capacity: 3.5" (89mm)

Rotor RPM: 3,300

Rotor Weight: 56-lbs

Blade: D2 Tool Steel Blade

Chipper Weight: 320-lbs

Engine: Kohler® CH440 Command Pro 14.0HP

Torque: 19.8 ft-lbs @ 2,400RPM

Drive: Commercial Grade clutch

# YARDBEAST



# 2050 MODEL 3" (76MM) CHIPPER SHREDDER



## Built like a tank.

Our very first chipper that has stood the test of time. A robust designed chipper for the residential customer committed to take serious control over the yard. A powerful chipper shredder with dual tool steel blade that will transform ugly branches into useful and great looking mulch.



The FULLSHRED flails designed and fabricated by Yardbeast perform great when shredding green or dry material. The FULLSHRED is a combination of a hammer and machete style edge.

### "My work horse"

"I had a huge pile of dead Douglas fir branches on my yard and was very hesitant to burn it. I finally opted for the 2050. I never looked back to burning branches!"

P. Colburn, Boulder, CO

### Chipper Specifications

Chipping capacity: 3" (76mm)

Shredding Capacity: 5/8"

Rotor RPM: 2,300

Rotor Weight: 32-lbs

Blade: Dual D2 Tool Steel Blade

Chipper Weight: 260-lbs

Engine: Kohler® CH395 Command

Pro 277cc / 14 ft-lbs

Drive: Heavy-Duty clutch





# 2090 MODEL 3.5" (89MM) CHIPPER SHREDDER

## The Queen of chippers.

A one-of-a-kind chipper shredder. You will be pleased to work with the spectacular self feeding action this beast shows. Its 3/16" thick steel frame guarantees lots of hard work for many seasons ahead. The shredder is big and powerful; a combination of hammers and flails, make leaves and twigs a thing of the past.



Commercial Grade centrifugal clutch provides efficient torque transmission while protecting engine and chipper from shock loads



**"Power when I need it"**

*"I bought the 2090 to replace my 12 year-old chipper. One of the best decisions I've ever taken. Worth the extra power every penny"*

*I. Lamble, Santa Fe, NM*



OPTIONAL SCREEN SIZES AVAILABLE FOR THE 2050 & 2090.

1/2"	5/8"
3/4"	7/8"-STD.
1"	

For other screen size and profiles contact us.

### Chipper Specifications

Chipping capacity: 3.5" (89mm)

Shredding Capacity: 3/4"

Rotor RPM: 3,000

Rotor Weight: 61-lbs

Blade: D2 Tool Steel Blade (3/8" thick)

Chipper Weight: 420-lbs

Engine: Kohler® CH440Command Pro

429cc / 19.8 ft-lbs

Drive: Commercial Grade clutch



# YARDBEAST



# 4521 MODEL 4.5" (114MM) PRO-CHIPPER



The dual A8 blades combined

make up to 6,200 cuts per minute!



## When you need commercial grade power, we have it!

This chipper carry some serious power to quickly process wood material up to 4.5 inches. Our unique V-shaped hopper and anvil aligns the branches for a perfect blade cut every time. This self feeding beast makes quick work of your yard clearing jobs helping you get a fast return on the investment.



The 4521 is fitted with two A8 premium blades for outstanding abrasion resistance. They are readily accessible by opening the top chipper cover.

"The 4521 helps us at keeping the landscaping areas in control over 7 residential communities across central Ohio."

R. McClusky, Ohio



### Chipper Specifications

Chipping capacity: 4.5" (114mm)

Rotor RPM: 3,200

Rotor Weight: 90-lbs

Blade: Dual A8 Tool Steel blades

Chipper Weight: 860-lbs

Engine: Kohler CH640 Command Pro 674cc / 35.7 ft-lbs

Drive: Commercial Grade clutch with belt tensioning system.

(305) 396-3396 | [www.yardbeast.com](http://www.yardbeast.com)



# 4500 MODEL 4.5" (114MM) PTO-CHIPPER

## Have a tractor? Hook the beast and start chipping!

Our 4.5" PTO chipper will make great team work with your Cat 0 or 1 tractor. Take control of your discharge with a 10 position -360 degree discharge chute. This chipper will self feed branches up to 4.5" with ease. The chipper come with adjustable skids and pivoting top chamber for fast access to cutting disk and blades.

*"Built to last!"*



The PTO driveshaft is rated for CAT0-1 tractor for 540RPM input up to 45HP. The drive is composed of a 1:3 pulley transmission with 3-type V belts spinning the rotor up to 2,300RPM.

### Pleased with my decision

"I opted for the 4500 pto chipper. It performs very good with my Kubota 2601. I am very pleased with my chipper"

R. Frances, Washington

### Chipper Specifications

Chipping capacity: 4.5" (114mm)  
Rotor RPM: 2,300  
Rotor Weight: 85-lbs  
Blade: Dual A8 Tool Steel Blade (3/8" thick)  
Chipper Weight: 620-lbs  
Drive: CAT 0-1 Tractor 540 RPM PTO driveshaft with belt tensioning system.

# YARDBEAST



# SPARE PARTS & ACCESORIES



**A.**



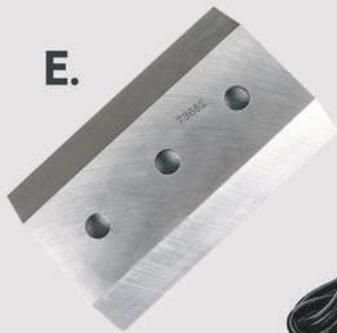
**B.**



**C.**



**D.**



**E.**



**F.**



**G.**

## A. Centrifugal Clutches

- A1. Centrifugal clutch for 2510, 2050 chipper. **\$89.99**
- A2. Centrifugal clutch for 2090, 3514 chipper. **\$278.69**
- A3. Centrifugal clutch for 4521 chipper **\$510.78**

## B. Flail Kit

- B1. Rotor FULLSHRED Flail Kit , 2050 **\$59.99**
- A2. Rotor FULLSHRED Flail Kit 2090 **\$49.99**

## C. Trailer Coupler

- C1. Straight Trailer Coupler 2" ball, 2" W **\$59.99**

## D. Oil Drain Plug

- D1. Oil Drain Plug Kohler CH395 **\$29.99**
- D2. Oil Drain Plug Kohler CH440 **\$29.99**
- D3. Oil Drain Plug Kohler CH640 **\$29.99**

## E. Chipper Cutting Blade

- E1. Chipper Blade 2510, 1 pcs **\$54.99**
- E2. Chipper Blade 2050, 2 pcs **\$69.99**
- E3. Chipper Blade 2090, 1 pcs **\$54.99**
- E4. Chipper Blade 3514, 1 pcs **\$54.99**
- E5. Chipper Bladie 4521, 2 pcs **\$119.98**
- E6. Chipper Blade 5501, 2 pcs **\$119.98**

## F. RPM/Hour Digital Meter

- F1. RPM/Hours Digital Readout **\$39.99**  
Works on all Kohler gas engines

## G. Engine Maintenance Kit

- G1. Engine Maintenance Kit CH395 **\$89.99**
- D2. Engine Maintenance Kit CH440 **\$109.99**
- D3. Engine Maintenance Kit CH640 **\$129.99**



# CUSTOMER SERVICE

## Easy ordering and friendly customer service...always

Order by phone or through the website. Convenient payment methods available.

Choose the ordering style you like. You can call us at 305-396-3396 and our friendly staff will walk you through our lineup and help you choose the right unit for you. You can mail a payment, pay online or pay by phone. You can also apply for financing by visiting the Financing page on our website.

## First class LTL shipping with Residential Delivery and Liftgate service included.

Take advantage of the liftgate service already included on every order for more convenience. The chipper requires minimum assembly. Once assembled, add oil and gas to fire up the beast and you will be chipping in no time! Shipping time can take from 3 to 7 business days.



## Technical support when you need it.

We understand that buying a chipper online without kicking the tires is a big jump. We make our best effort to present to you all the necessary information for you to make the best decision. When you receive the chipper, our team will be there to help you through the assembly, operation maintenance or even repair of your chipper if needed. Just call or write!



NO PAYMENTS FOR  
**90 DAYS**

**BUY NOW  
PAY LATER**

**EQUIPMENT FINANCING**  
POWERED BY QUICKSPARK FINANCIAL  
\*FOR QUALIFIED CUSTOMERS

## Are you a business?

**No need to wait! Get your chipper right away and start paying in 90 days.**

Yardbeast has partnered with QuicksparK Financial to bring you the convenience of paying for your chipper in monthly installments.

Simply log into our website, go to the Financing page and apply. A QuicksparK agent will get in touch with you to work out the terms and that's it!.

Get your chipper for as low as \$33/mo.

## Did you know?

The hog logo on our brand is a homage to the razorback logo of the University of Arkansas, our founder's Alma Mater.

**woo pig sooie!**

**YARDBEAST**



# QUALITY IS OUR PASSION



## Our goal is to make the best chippers..

**We take pride in being a customer oriented organization.** We design, fabricate, test, and ship our units directly to our dealers and customers like you. Since our origins, it has been our mission to provide second to none quality wood chippers that will stand the test of hard work and time. We achieve that by combining a variety of factors such as simplicity of use, heavy gauge materials, top quality third-party components, and one-user operating and maintenance design mindset.

**Owners of our chippers will confirm that they have a sturdy, powerful, top quality product that delivers.** We're proud not only of our chipper's efficient abilities but also for its sleek design. In fact, we love every part of it! We think you will too.

**At Yardbeast we stand behind our products,** and fully support our customers by offering a comprehensive 2 year/90-day commercial warranty that includes consistent and reliable technical advice, spare parts, and a network of servicing dealers to provide fast turnaround from downtime to operation.

Once you get to know your Yardbeast wood chipper, you will find yourself with an easy to use and dependable piece of equipment that will be there to help you through your yard cleaning jobs for many seasons to come.

(305) 396-3396 | [www.yardbeast.com](http://www.yardbeast.com)