

YARDBEAST®

2050

3.0" (77mm) Wood Chipper Shredder



powered by
KOHLER®
IN POWER. SINCE 1920.

BUILT LIKE A TANK!

Yardbeast's 2050 chipper shredder is built with homeowners in mind who prioritize durability. Customers consistently describe the unit as "built like a tank" due to its heavy-duty steel construction up to ¼ inch thick. This translates to a chipper shredder that can handle years of yard work and stands up to tough conditions.



ENGINE POWERHOUSE

CH-395
9.5HP

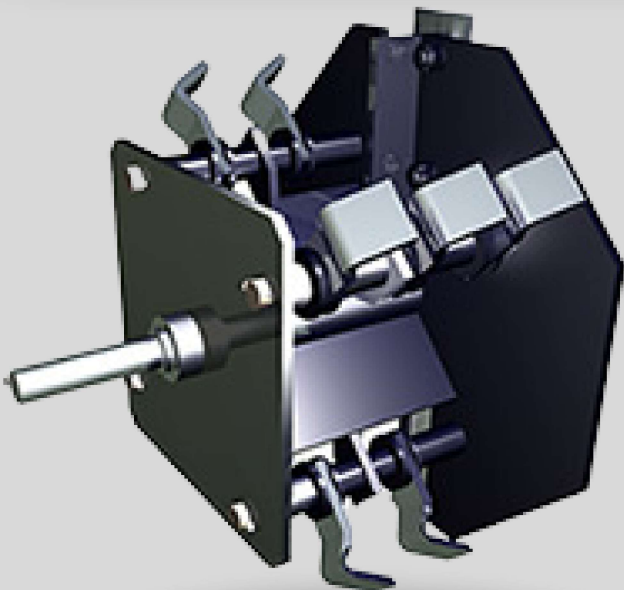
KOHLER[®]
IN POWER. SINCE 1920.



Kohler's CH395 Command Pro engine packs a powerful punch for professional tasks. This air-cooled, single-cylinder engine boasts a displacement of 277 cc, delivering 9.5 horsepower for tackling demanding chipping work around the property. The most striking features are:

- Low-Oil Shutdown Sensor
- Quad-Season Cyclonic Air Filter
- Large Capacity Fuel tank
- Cast Iron Cylinder

CHIPPING



3.0"

CHIPPING CAPACITY

The Yardbeast 2050 rotor is a 36-lb rotor that comprises of dual blade chipping disc and a set of 10-Fullshred flails that demolishes any green waster that is fed into the unit.

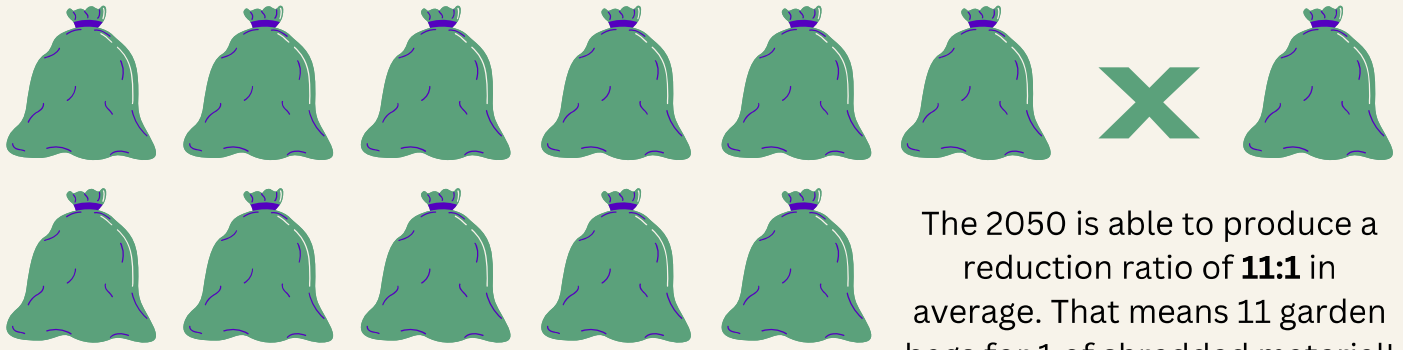
SHREDDING



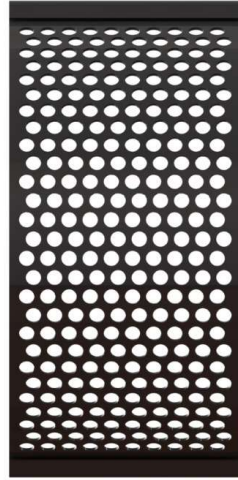
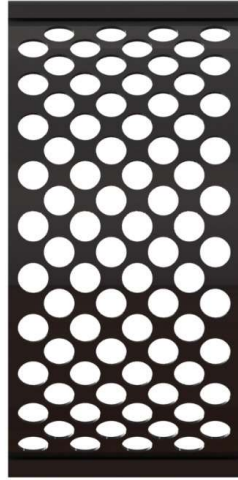
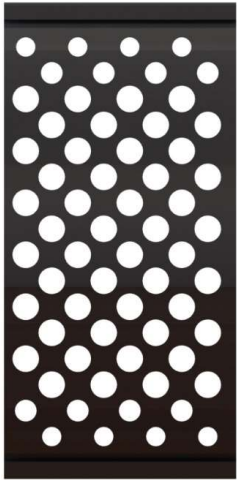
5/8"

PERFORMANCE SHREDDING

This powerful beast can munch down leaves and small twigs up to 5/8" in diameter, leaving behind a pile of nutrient-rich mulch perfect for giving back to your landscape and enhancing your property. Say goodbye to raking and bagging leaves, and say hello to a cleaner yard and healthier plants!



The 2050 is able to produce a reduction ratio of **11:1** in average. That means 11 garden bags for 1 of shredded material!



The Yardbeast comes with a standard 7/8-inch hole screen that produces quarter sized wood chips and shreds material to a compostable size. We have other patterns available upon ordering.

GREEN WASTE THIS CHIPPER CAN PROCESS...



LEAVES

This chipper works great for shredding copious amount of leaves through the top hopper. Adjust anvil to 3/32" gap.



CARDBOARD

The 2050 (and the 2090) are able to also shred cardboard. The screen with the oval pattern is recommended.



BRANCH W/LEAVES

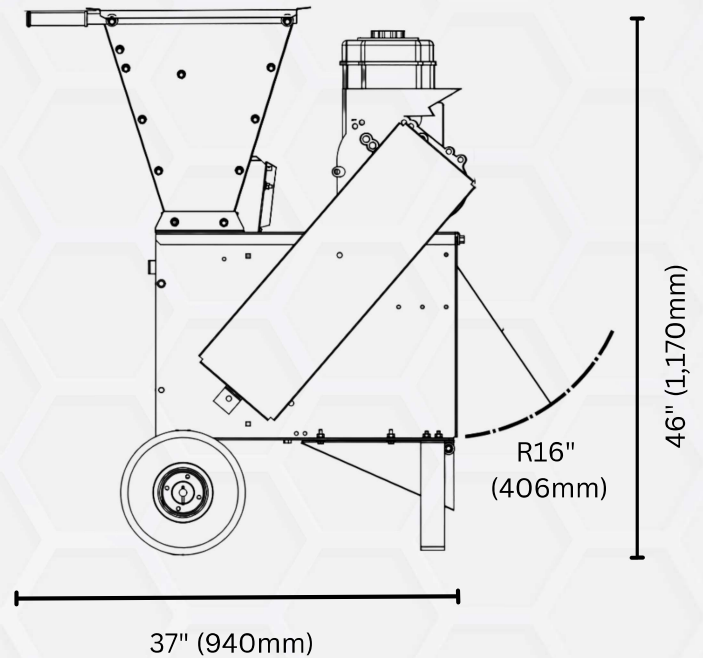
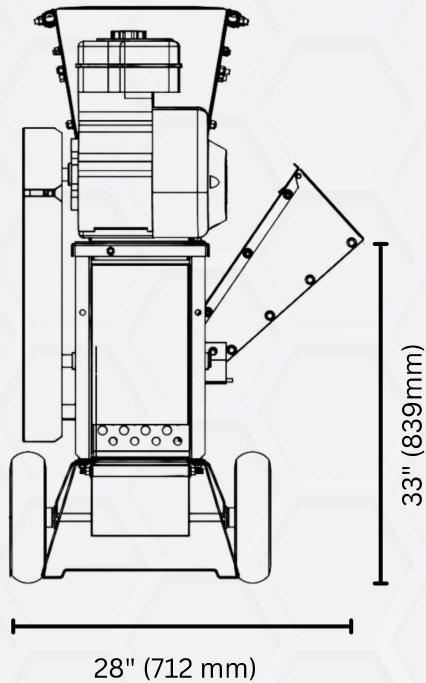
This chipper will process leaves that are still attached to the branch, green or dry. To chip both, it is better to adjust the gap from 3/32" to 3/16"



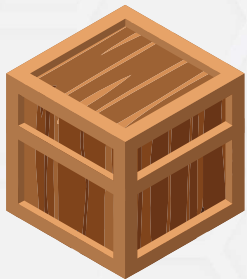
BRANCHES ONLY

Green, dry or resinous branches, no problem! If you are chipping a variety of types rule of thumb is to leave a 3/32" to 1/4" gap.

CHIPPER DIMENSIONS



SHIPPING DIMENSIONS



The chipper is shipped in a robust metal cage along with a kit package depending on the type of tow package ordered. (Tools must be provided by owner). User manual is lodged inside the black plastic manual canister above the belt guard.

CRATE SPECS

Length: 40"

Width: 23"

Height: 40"

Weight: 260lb



All of our chippers are shipped from our warehouse in Miami, Florida by LTL (Less-than-Truckload) freight across continental United States.

Our goal is to make the best chippers.

We take pride in being a customer-oriented organization. We design, fabricate, test, and ship our units directly to our dealers and customers like you.

Since our origins, it has been our mission to provide second to none quality wood chippers that will stand the test of hard work in time. We achieve that by combining a variety of factors such as simplicity of use, heavy-gauge materials, top-quality third-party components, and a one-user operating and maintenance design mindset.



Owners of our chippers will confirm that they have a sturdy, powerful, top quality product that delivers. We're proud not only of our chipper's efficient abilities but also for its sleek design. In fact, we love every part of it! We think you will too.

At Yardbeast, we stand behind our products and fully support our commercial customers by offering a limited 1 year or 1,000-hr US commercial warranty that includes consistent and reliable technical advice, spare parts, and a network of US-domestic servicing dealers to provide a fast turnaround from downtime to operation.

Once you get to know your Yardbeast, you will find yourself with an easy to use, dependable piece of equipment that will be there to help you through your yard clearing jobs for many seasons to come.

Have Questions? Get in touch!

☎ (305) 396-3396

✉ sales@yardbeast.com